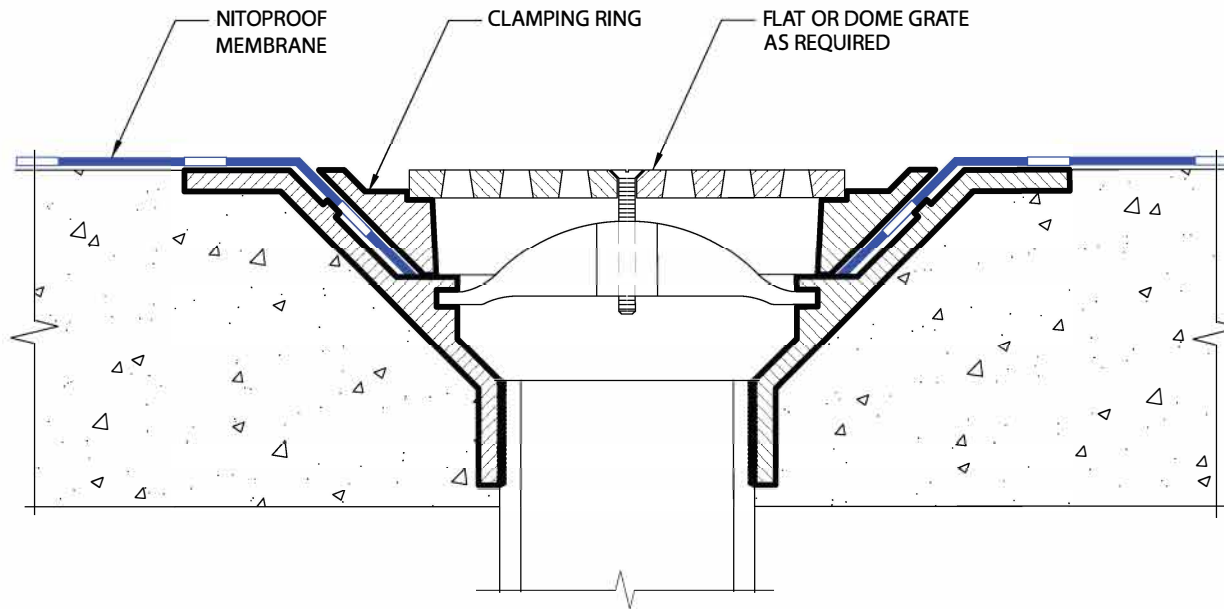


As suppliers of building and civil engineering products Parchem Construction Supplies Pty Ltd do not offer a design service. Information in this drawing is a suggestion only and must not be used for construction except as a signed off drawing by the specifier or contractor



NOTE: FOR FALLS, SEE AS 4654.2 - 2012, CLAUSE 2.5.2

DRAINAGE DETAIL FOR AN EXPOSED MEMBRANE

SCALE:- NTS

DRAWN BY:- EC

DATE:- 8/7/10

LATEST AMENDMENT:- PJ

DATE:- 21/08/19

TSD/W-ISD01

ISSUE NUMBER 4



PARCHEM CONSTRUCTION SUPPLIES
7 LUCCA ROAD, WYONG
NSW 2259

www.fosroc.com.au

1800 812 864

Fosroc and the Fosroc logo, are the trade marks of Fosroc International Limited, used under licence