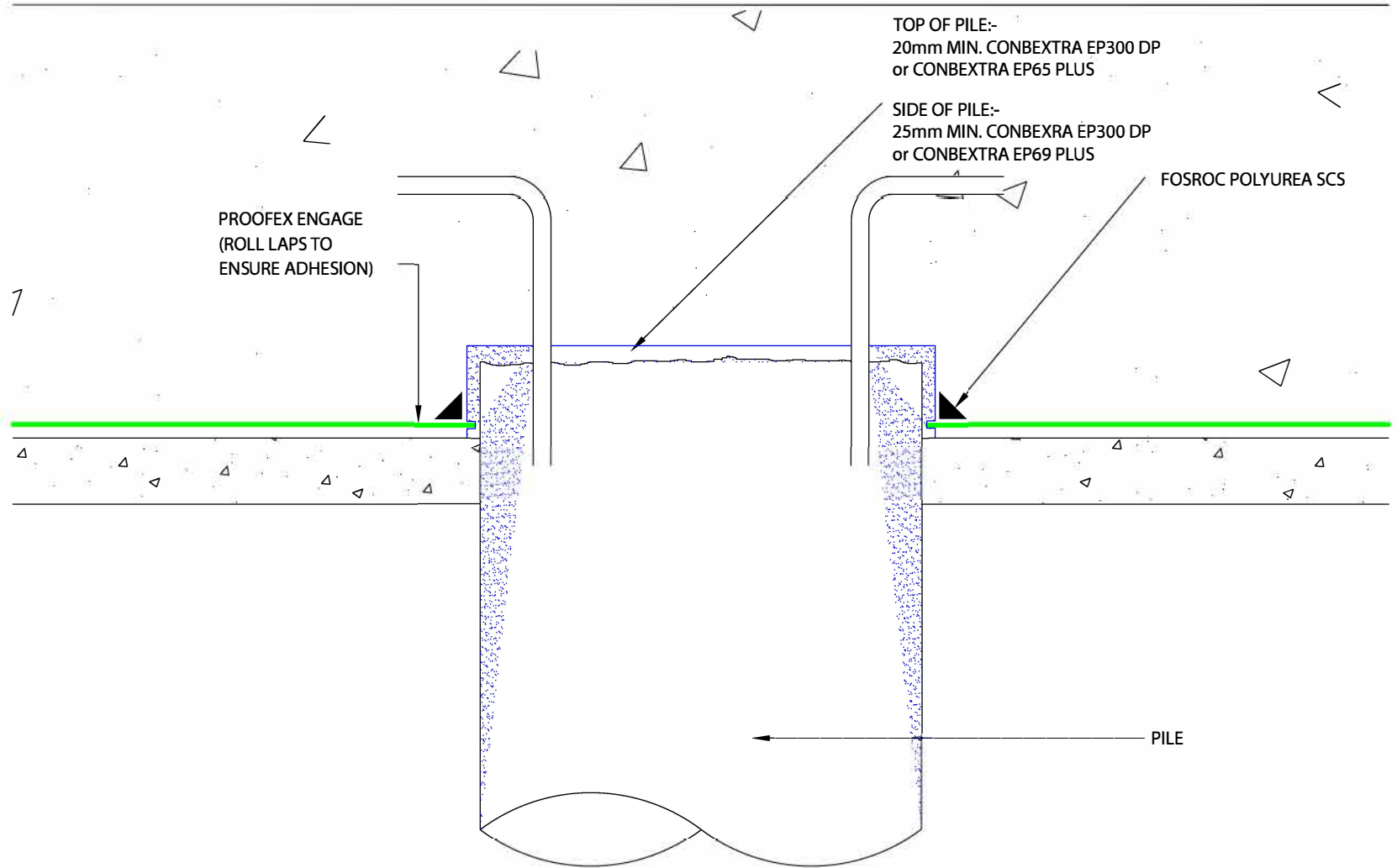


As suppliers of building and civil engineering products Parchem Construction Supplies Pty Ltd do not offer a design service. Information in this drawing is a suggestion only and must not be used for construction except as a signed off drawing by the specifier or contractor

C This drawing is the copyright of Fosroc Ltd. (modified by permission) and must not be reproduced in any part without prior written permission



PROOFEX ENGAGE - PILE HEAD DETAIL (c)

SCALE:- NTS

DRAWN BY:- AMC

DATE:- 30/1/02

LATEST AMENDMENT:- PJ

DATE:- 28/09/21

TSD/W-ESD22

ISSUE NUMBER 8



PARCHEM CONSTRUCTION SUPPLIES
1956 DANDENONG RD CLAYTON VIC 3168

www.fosroc.com.au

1800 812 864

Fosroc and the Fosroc logo, are the trade marks of Fosroc International Limited, used under licence